

Grooved End Butterfly Valve

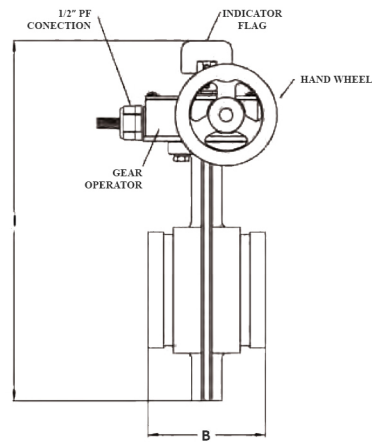
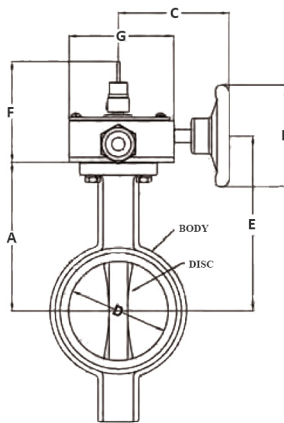
BO-G310 / BO-G310C



BO-G310



BO-G310C



SPECIFICATIONS

- **WORKING PRESSURE** 300 psi (21 bar)
- **MAX. TEST PRESSURE** 600 psi (42 bar)
- **TEMPERATURE RANGE** ~250°F (~120°C)
- **GEARBOX**
IP 65, bronze traveling nut gearbox with internal dual switch in ductile iron housing
Factory Installed UL Approved Tempered Switch for Indoor and Outdoor Use

OPTION

- **SUPERVISED CLOSED TYPE(BO-G310C)**
Hand Wheel Black Color

MATERIAL SPECIFICATIONS

Component	Material
Body	ASTM A536 Nylon-11 Coated
Disc	ASTM A536 EPDM Encapsulated
Stem	AISI 410
Signal Gearbox	ASTM A536
Hand Wheel	ASTM A536
O-ring	EPDM

DIMENSIONS

Nominal Valve Size Inches (DN)	Pipe OD Inches (mm)	Nominal Dimensions Inches (mm)									Weight Lbs. (kg)
		A	B	C	D	E	F	G	H	I	
2 (DN 50)	2.37 (60.3)	3.86 (98.0)	3.8 (96.4)	4.24 (107.8)	2.37 (60.3)	4.90 (124.5)	3.90 (99.0)	4.13 (105.0)	3.94 (100.0)	10.63 (270)	10.80 (4.9)
2-1/2 (DN65)	2.88 (73.0)	4.48 (113.8)	3.8 (96.4)	4.24 (107.8)	2.88 (73.0)	5.50 (139.8)	3.90 (99.0)	4.13 (105.0)	3.94 (100.0)	11.72 (297.8)	11.2 (5.1)
3 (DN75)	3 (76.1)	4.48 (113.8)	3.8 (96.4)	4.24 (107.8)	3 (76.1)	5.50 (139.8)	3.90 (99.0)	4.13 (105.0)	3.94 (100.0)	11.72 (297.8)	11.2 (5.1)
4 (DN100)	3.5 (88.9)	4.73 (120.3)	3.8 (96.4)	4.24 (107.8)	3.50 (88.9)	5.76 (146.3)	3.90 (99.0)	4.13 (105.0)	3.94 (100.0)	12.22 (310.3)	12.6 (5.7)
5 (DN125)	4.5 (114.3)	5.73 (145.5)	4.54 (115.4)	4.24 (107.8)	4.50 (114.3)	6.75 (171.5)	3.90 (99.0)	4.13 (105.0)	3.94 (100.0)	13.92 (353.5)	15.6 (7.1)
6 (DN150)	5.5 (139.7)	6.54 (166.0)	5.21 (132.4)	5.79 (147.0)	5.5 (139.7)	7.93 (201.5)	4.29 (109.1)	4.88 (123.9)	5.90 (150.0)	16.01 (406.6)	26.24 (11.9)
8 (DN200)	5.5 (139.7)	6.54 (166.0)	5.21 (132.4)	5.79 (147.0)	5.5 (139.7)	7.93 (201.5)	4.29 (109.1)	4.88 (123.9)	5.90 (150.0)	16.01 (406.6)	26.24 (11.9)
DN150	6.5 (165.1)	7.07 (179.5)	5.21 (132.4)	5.79 (147.0)	6.5 (165.1)	8.45 (214.5)	4.29 (109.1)	4.88 (123.9)	5.90 (150.0)	17.07 (433.6)	28.7 (13.0)
DN150	6.63 (168.3)	7.07 (179.5)	5.21 (132.4)	5.79 (147.0)	6.63 (168.3)	8.45 (214.5)	4.29 (109.1)	4.88 (123.9)	5.90 (150.0)	17.07 (433.6)	28.7 (13.0)
DN200	8.63 (219.1)	8.03 (204.0)	5.80 (147.4)	5.79 (147.0)	8.63 (219.1)	16.10 (409)	4.29 (109.1)	4.88 (123.9)	8.86 (225.0)	19.02 (483.1)	36.37 (16.5)

GROOVED END SUPERVISED CLOSED



GENERAL DESCRIPTION

The GLOBAL SAFETY PRODUCTS, INC. Models Grooved End Butterfly Valves in below Table are indicating type valves designed for use in fire protection systems where a visual indication is required as to whether the valve is open or closed.

They have grooved inlet and outlet connections that are suitable for use with grooved end pipe couplings that are listed and approved for fire protection systems.

The details of connection should be checked by owner with manufacturer before purchasing.

For applications requiring supervision of the open or closed position of the valve, the Gear Operators for the Models are provided with two sets of factory installed internal switches each having SPDT contacts.

The supervisory switches transfer their electrical contacts when there is movement from the normally open or normally closed disc position during the first two revolutions of the handwheel.

TECHNICAL DATA

Model	Approvals					Working Pressure (psi / bar)	Gearbox	Body	Disc	Supervisory Switch	Size																
	UL	ULC	FM	CE	Vds						2"	2-1/2"	3"	4"	5"	6"	8"	10"	12"	DN50	DN65	DN80	DN100	DN125	DN150	DN200	DN250
BOG310C	○	○	○	○		300 / 20.7	Travelling Nut	Ductile Iron ASTM A536 (PA11 Coated)	Ductile Iron ASTM A536 (EPDM Encapsulated)	Outdoor	○***	○***	○***	○***	○***	○***	○***			○***	○***	○***	○***	○***	○***		
BOG310TC	○	○	○	○	○	300 / 20.7	Travelling Nut	Ductile Iron ASTM A536 (PA11 Coated)	Ductile Iron ASTM A536 (EPDM Encapsulated)	Outdoor	○***	○***	○***	○***	○***	○***	○***			○***	○***	○***	○***	○***	○***		
BO-G300C	○	○	○	○		300 / 20.7	Segment	Ductile Iron ASTM A536 (PA11 Coated)	Ductile Iron ASTM A536 (EPDM Encapsulated)	Outdoor		○***	○***	○***	○*	○***	○***			○***	○***	○***	○*	○***	○***		
BOG300TC	○		○	○	○	300 / 20.7	Segment	Ductile Iron ASTM A536 (PA11 Coated)	Ductile Iron ASTM A536 (EPDM Encapsulated)	Outdoor		○***	○***	○***	○*	○***	○***			○***	○***	○***	○*	○***	○***		
BO-GTC	○	○	○	○	○	175 / 12.0	Segment	Ductile Iron ASTM A536 (PA11 Coated)	Ductile Iron ASTM A536 (EPDM Encapsulated)	Outdoor										○***	○***					○***	○***

○ UL / FM * FM only ** UL only *** UL / ULC **** UL / ULC / FM

NOTICE!

These valves cannot be installed between the fire protection system water source and sprinkler heads. Intended for use in fire pump test bypass lines only.

The GLOBAL SAFETY PRODUCTS, INC. Models Grooved End Butterfly Valves described herein must be installed and maintained in compliance with the manual, as well as with the applicable standards of the National Fire Protection Association(NFPA), in addition to the standards of any other authorities having jurisdiction.

Failure to do so may impair the performance of these devices. The owner is responsible for maintaining their fire protection system and devices in proper operating condition.

Contact the installing contractor or product manufacturer with any questions.